

Introduction

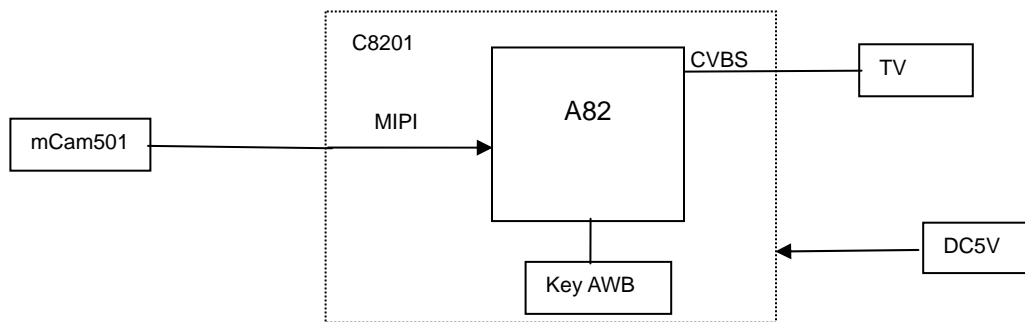
This module has been designed to interface VGA MIPI camera mCam501 and provide CVBS output to TV.

Key Features

- ✓ Small size 22x55mm
- ✓ Interface to VGA MIPI camera mCam501
- ✓ Real time Video output, Support PAL/NTSC, CVBS
- ✓ 5VDC operation
- ✓ Plug and play, no setup required
- ✓ Simple operation for AWB



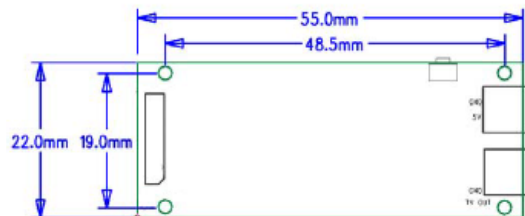
Block Diagram



Module Specification

Board Size	25x70mm
Display connector	2pins, 2mm pitch
Video out	NTSC/PAL
Camera connection	10pin 1.5mm pitch
Operation Voltage	3.7-5V
Operation Current	150mA typical

Mechanical Dimension



Operation

1. Plug in camera before power up system.
2. Connect AV out to TV set,
3. Apply power, it outputs CVBS to TV monitor.
4. AWB: place camera tip to a white paper and press AWB button for a while. It will do white balance calibration base on the light source